

# SCREW FEED PUSHER

<http://tiny.cc/feedpusher>

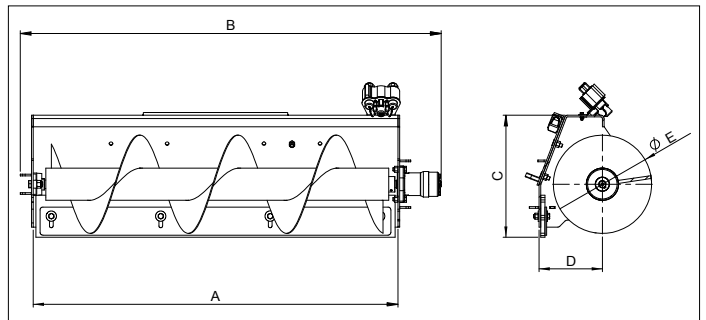


## FEATURES & BENEFITS

- Fast and easy way of moving feed to the animals
- Discharge in the right side
- High efficiency, also on larger farms
- Rear rubber scraper blade

Efficient way of moving uneaten feed back in front of the cattle. When moving, the screw mixes the feed and the fresh feed remains on top.

With the screw feed pusher drive speed can be higher. The rubber scraper blade at the rear of the attachment cleans the floor very efficiently. Once worn out, the rubber blade can be disassembled and reassembled backwards or replaced.



Dimensions					
	A	B	C	D	E
mm	1300	1500	435	226	350
in	51.2	59	17.1	8.9	13.8

Model	Working Width	Height	Weight	Code	Price
Screw Feed Pusher	130 cm (51.2 in)	43,5 cm (17.1 in)	115 kg (254 lbs)	<b>C890250</b>	

Compatibility	1.1 M14	2.3 MK-MZ	S520 S520	4.2 5.2	5.3 7.2	6.3	7.3	8.4	9.5 GT950	9.6 GT960	10.8 10.9	6.3SD	7.3SD 8.4SD	9.5SD	12.4*	EZ

(\*) C890025 adapter required

Very compatible
  Compatible
  Not compatible

