

SCREENING BUCKET

<http://tiny.cc/screeningbucket>

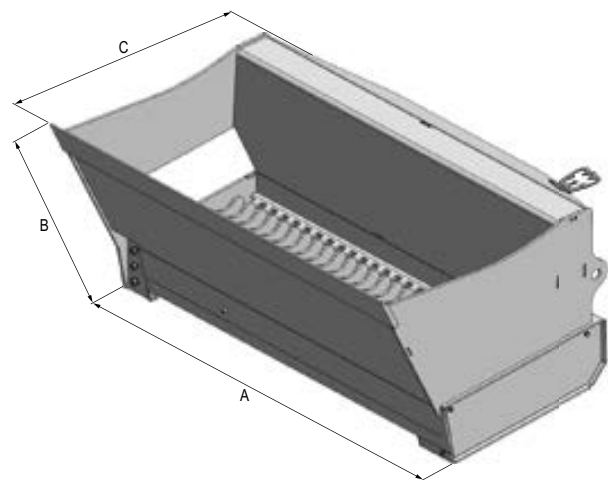


FEATURES & BENEFITS

- Heavy duty construction
- Easy and fast processing
- Separate project materials on-site, saving time and money

The MultiOne screening bucket separates different sized materials thanks to its unique construction. The purpose of the screening bucket is to separate larger and smaller particles from the soil and not crush the larger material into smaller particles.

Topsoil making for landscaping, nurseries and wholesale is the principal use while some construction contractors utilise the bucket for screening.



Dimensions (mm/in)		
A	B	C
1200 / 47.2	720 / 28.3	620 / 24.4

Model	Max Load*	Width (A)	Screened materials Ø	Weight	Code	Price
Screening bucket	280 kg (617 lbs)	120 cm (47.2 in)	0/20-0/35 mm (0/0.8 - 0/1.4in)	320 kg (705 lbs)	C890030	

(* verify the lifting capacity of the machine)

Compatibility	1.1 M14	2.2-2.3 MK-MZ	S520 S525	4.2 5.2	5.3	6.3 7.2	7.3	8.4	9.5 G1980	9.6 G1980	10	6.3SD	7.3SD 8.4SD	9.5SD
	Very compatible					Compatible					Not compatible			

