

HYDRAULIC BIO SHREDDER

<http://tiny.cc/bio-shredder>

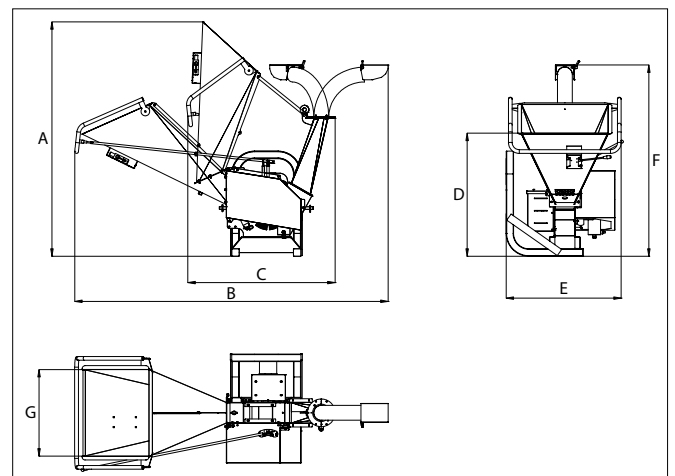


FEATURES & BENEFITS

- Hydraulic powered, works everywhere
- Multi knife rotor for mulching

The hydraulically powered chipper/shredder is a powerful tool for quickly reducing a pile of brush, garden waste, and tree limbs to reusable shredded mulch. Combined with the MultiOne, this chipper/shredder can work in areas not reachable with a traditional towed chipper.

The machines design incorporates a feed roller that pulls the branches up to 90 mm (3.5 in) diameter into the chipper section in a controlled, safe speed. The chips are then processed by the shredder section, reducing the wood chips to mulch. The operator remains safely out of the way during the chipping/shredding process.



| Dimensions | | | | | | | |
|------------|------|------|------|------|-----|------|------|
| | A | B | C | D | E | F | G |
| mm | 1890 | 2110 | 1170 | 1000 | 940 | 1550 | 700 |
| in | 74.4 | 83 | 46 | 39.4 | 37 | 61 | 27.5 |

| Model | Max timber diameter | Weight | Code | Price |
|------------------------|---------------------|------------------|----------------|-------|
| Hydraulic bio shredder | 9 cm (3.5 in) | 210 kg (463 lbs) | C890730 | |

| Compatibility | 1.1 Mk14 | 2.2-2.3 Mk-NZ | 3.520 4.2 | 3.525 5.2 | 5.3 7.2 | 6.3 | 7.3 | 8.4 | 9.5 G1980 | 9.6 G1980 | 10 | 6.3SD | 7.3SD 8.4SD | 9.5SD |
|---------------|-----------------|---------------|-----------|-----------|---------|------------|-----|-----|-----------|-----------|----------------|-------|-------------|-------|
| | | | | | | | | | | | | | | |
| | Very compatible | | | | | Compatible | | | | | Not compatible | | | |

