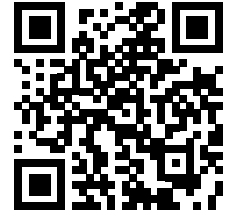


SHOOT REMOVER

<http://tiny.cc/shootremover>

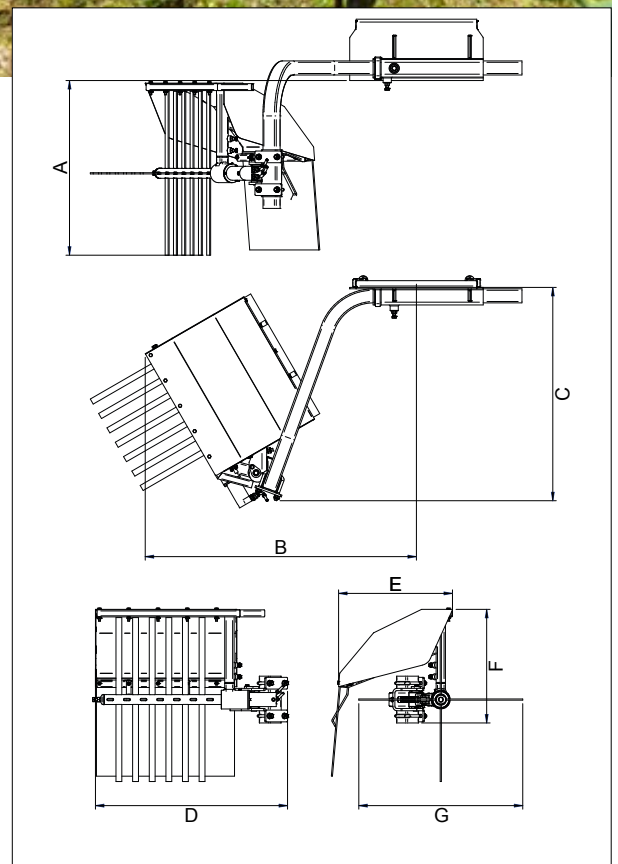


FEATURES & BENEFITS

- Low wear cutter string
- Variable offset
- Efficient and reliable

The MultiOne shoot remover is an ideal tool for the removal of weeds and plant shoots from around trees. Hydraulically powered, it gently removes the shoots without causing tree trunk damage.

The shoot remover frame can be offset to the right to allow for variable working conditions. Replacement of the long lasting rubber strings is quick and easy.



Dimensions (mm/in)						
A	B	C	D	E	F	G
746 / 29.4	1160 / 45.7	910 / 35.8	820 / 32.3	490 / 19.3	490 / 19.3	700 / 27.6

Model	Rotor Length	Offset Max	Weight	Code	Price
Shoot Remover	82 cm (32.3 in)	25 cm (9.8 in)	50 kg (110 lbs)	C890436	

Compatibility	1.1 M14	2.2-2.3 MK-MZ	S520 S525	4.2 5.2	5.3 7.2	6.3	7.3	8.4	9.5 G1980	9.6 G1980	10	6.3SD	7.3SD 8.4SD	9.5SD
	Very compatible					Compatible					Not compatible			

