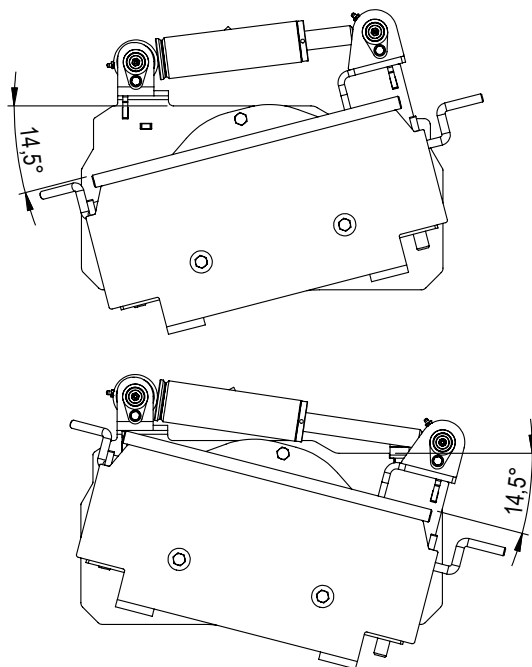


TILT ADAPTER

Tilt adapter is mounted between the attachment and the loader's attachment coupling plate and it allows to tilt the attachment sideways. Max. 14,5 degree tilting in both directions.



Model	Max tilt										Weight			Code			Price			
Tilt adapter	+/- 14.5°										52 kg (115 lbs)			C890190						
Compatibility	1-1 M14	22-23 MK-MZ	S520 S525	4-2 L1-2	5-3 7-2	6-3	7-3	8-4	9-5 G1980	9-6 G1980	10	6-3SD	7-3SD 8-4SD	9-5SD						

Very compatible
 Compatible
 Not compatible

