

# DEMOLITION GRAPPLE BUCKET

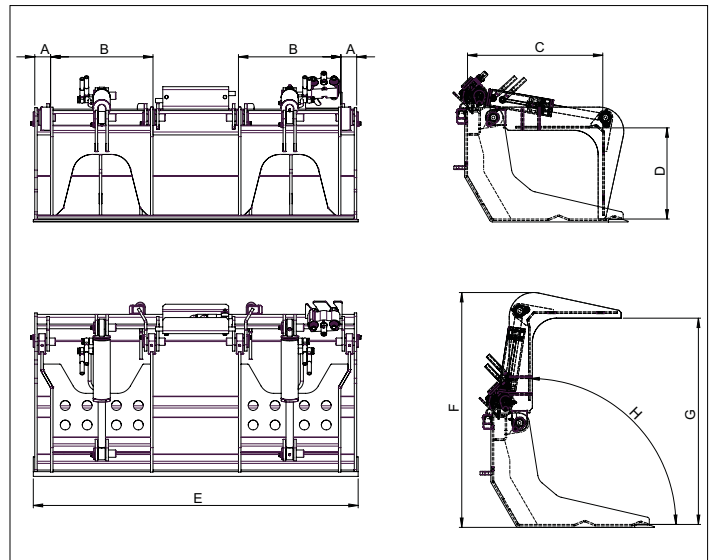
<http://tiny.cc/demolitiongrapplebucket>



## FEATURES & BENEFITS

- Move hard to handle materials easily
- Two hydraulic grapples easy to operate
- Handles bulky, uneven loads securely

This bucket is designed to handle bulky, irregularly shaped objects found in demolition, industrial, construction, recycling. Ideal for trees, large rocks, bush, industrial and demolition scrap, and recycling debris.



	Dimensions (mm/in)							
	A	B	C	D	E	F	G	H
Mod. 130	65/2.6	420/16.5	555/21.8	374/14.7	1333/52.5	963/38	846/33	90°
Mod. 150	65/2.6	420/16.5	555/21.8	374/14.7	1533/60	963/38	846/33	90°

Model	Width	Weight	Code	Price
130	130 cm (51.2 in)	200 kg (441 lbs)	<b>C890063</b>	
150	150 cm (59 in)	220 kg (485 lbs)	<b>C890064</b>	

Compatibility	1.1 M14	2.3 MK-MZ	3.5 S520 S525	4.2 S2	5.3 T2	6.3	7.3	8.4	9.5 GT980	9.6 GT980	10.8 10.9	6.3SD	7.3SD 8.4SD	9.5SD
Model														
130														
150														

Very compatible
  Compatible
  Not compatible

